

JULIA TYP 52

Art.-Nr.

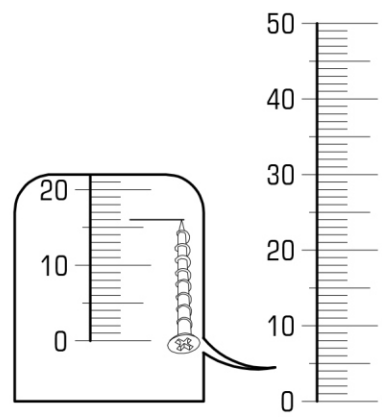
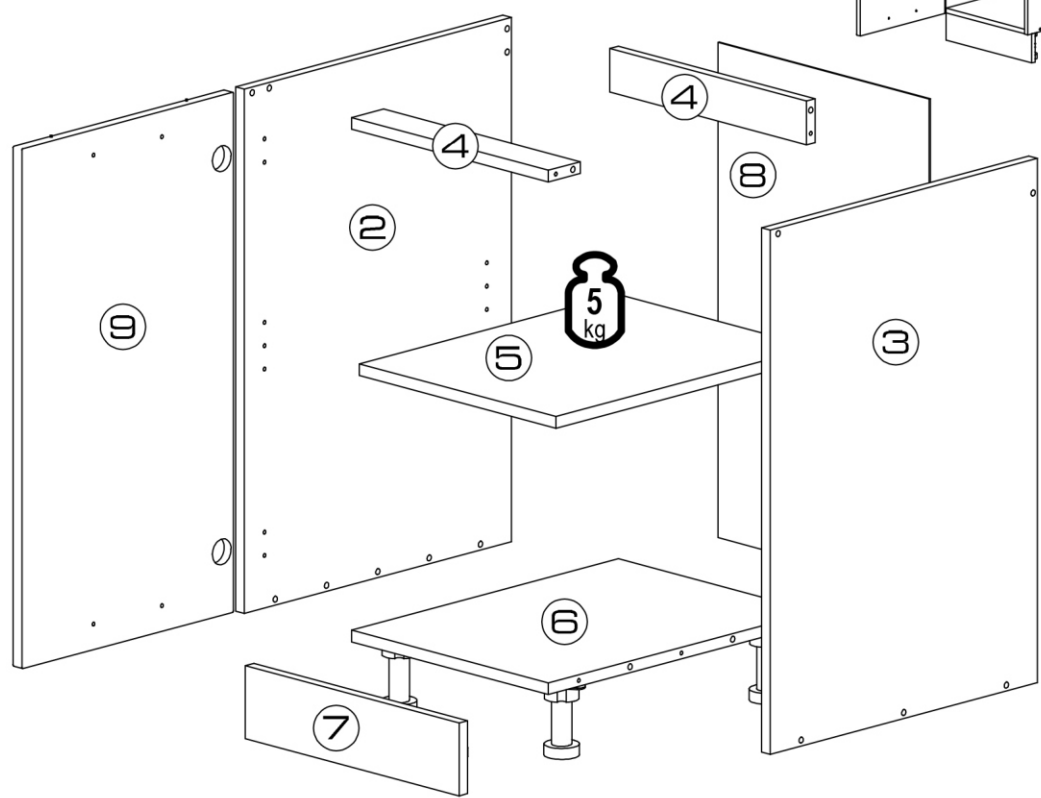
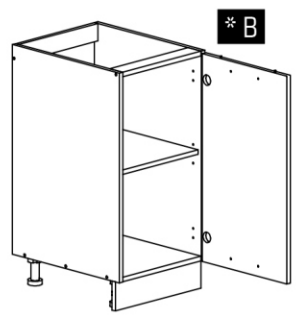
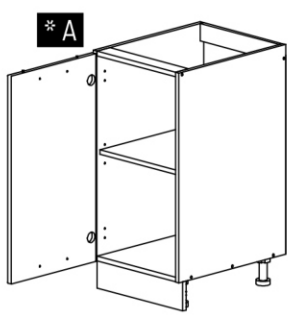
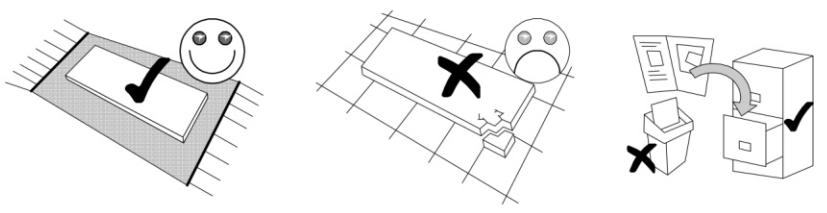
272537
272524

400
820
520
mm

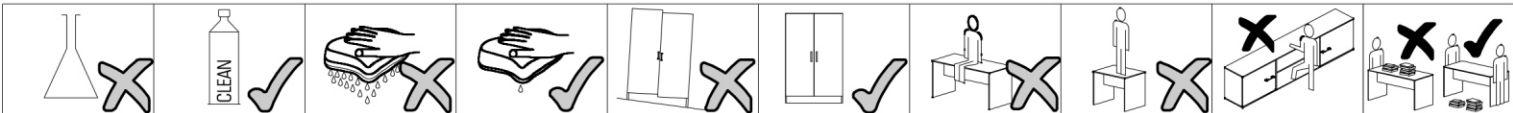
1/6
ZO

	40min		≤ 0,5 kg	3m	PZ 2	4	600 mm	Ø5mm
--	-------	--	----------	----	------	---	--------	------

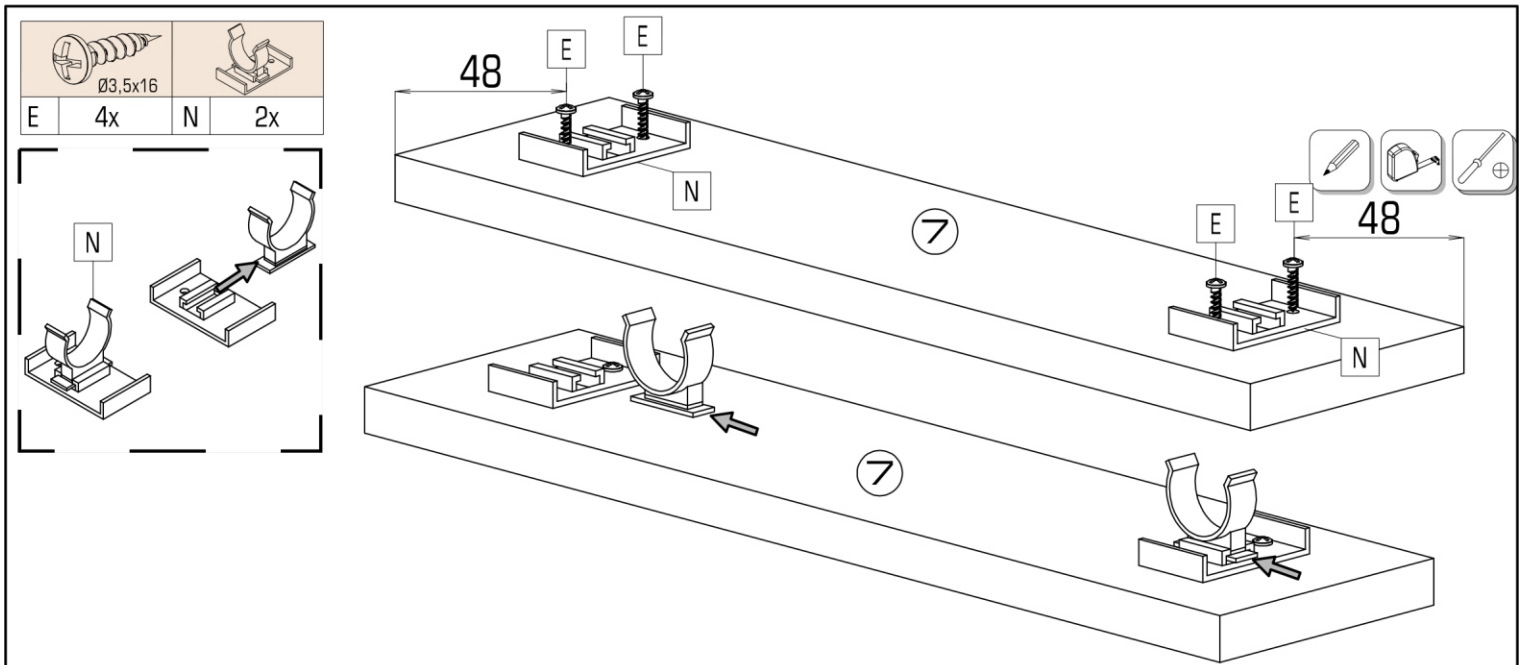
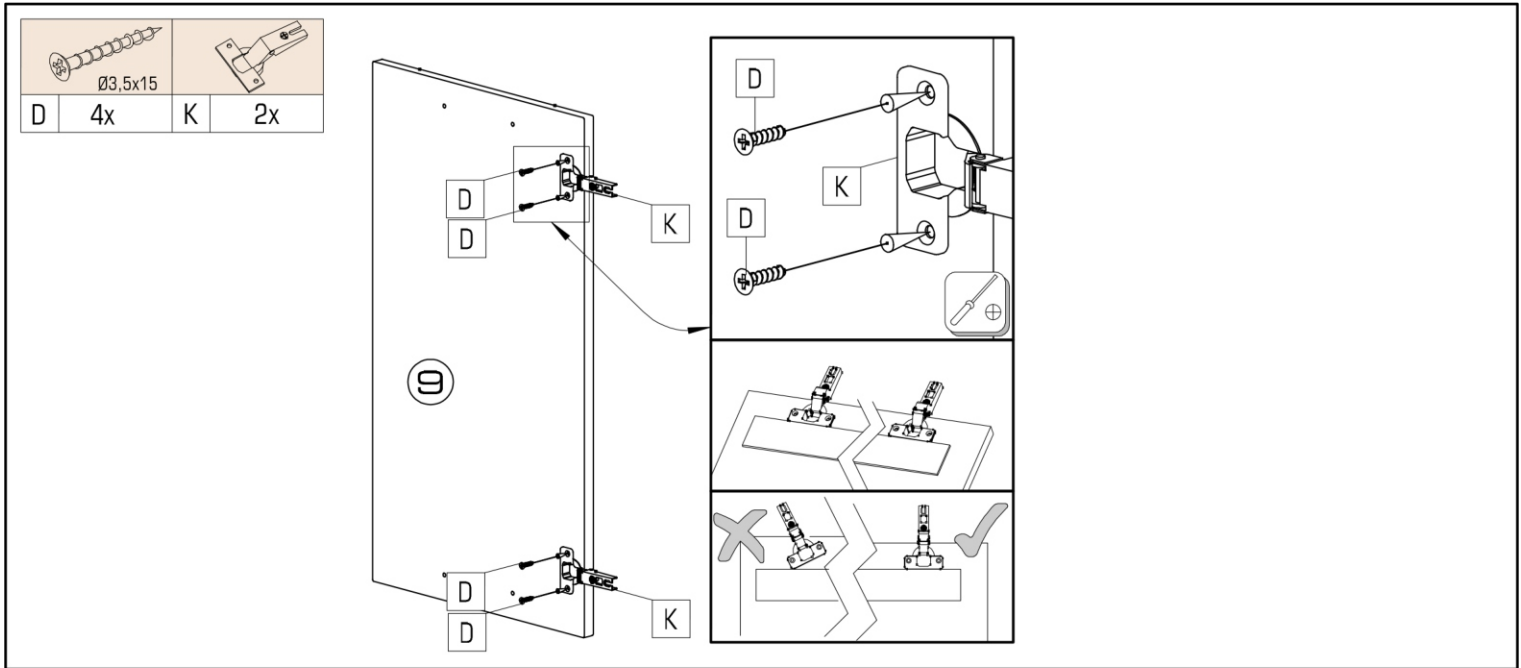
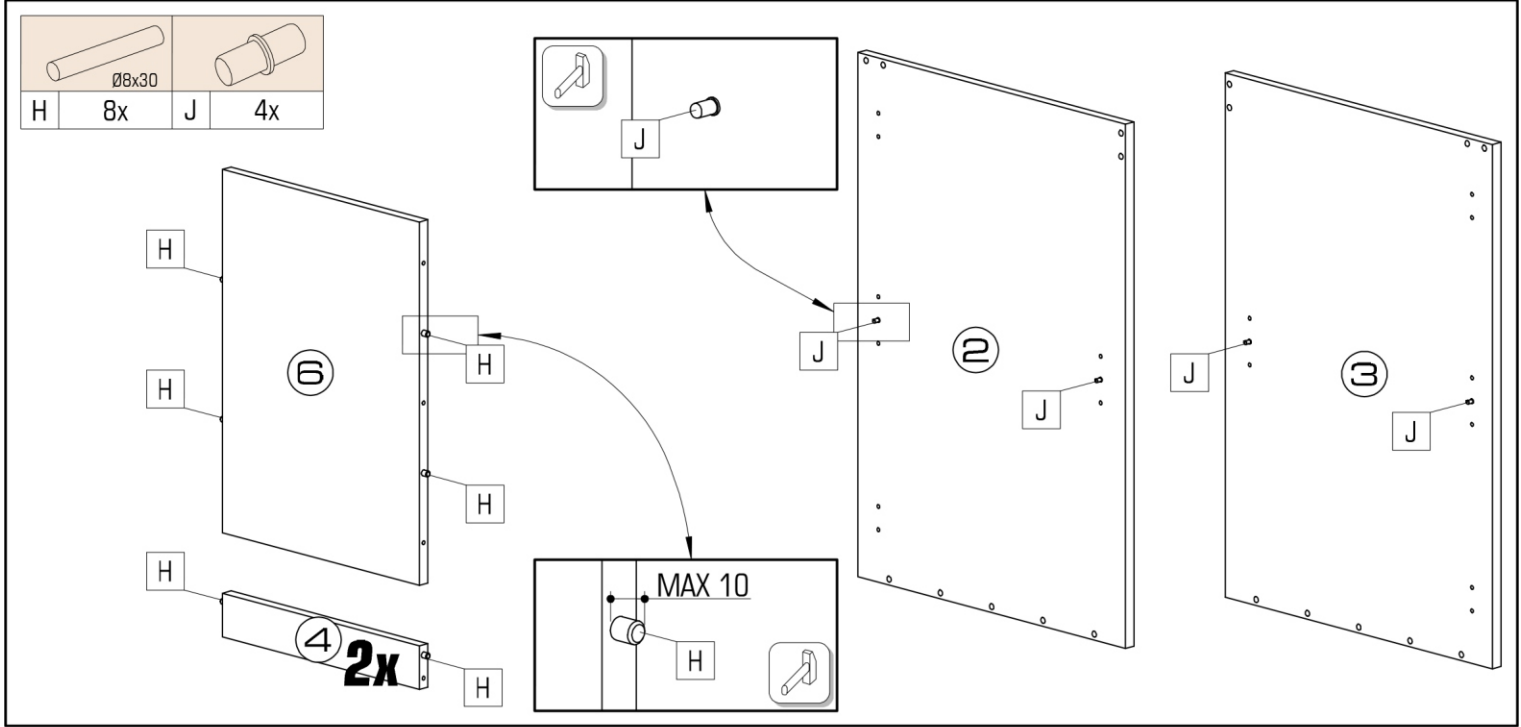
ID EE	ID			
17410	②	720*500*16	1x	1/1
17411	③	720*500*16	1x	1/1
00354	④	368*60*16	2x	1/1
17412	⑤	368*485*16	1x	1/1
17413	⑥	368*499*16	1x	1/1
00357	⑦	400*100*16	1x	1/1
04985	⑧	680*395*3	1x	1/1
17328	⑨	714*396*18	1x	1/1




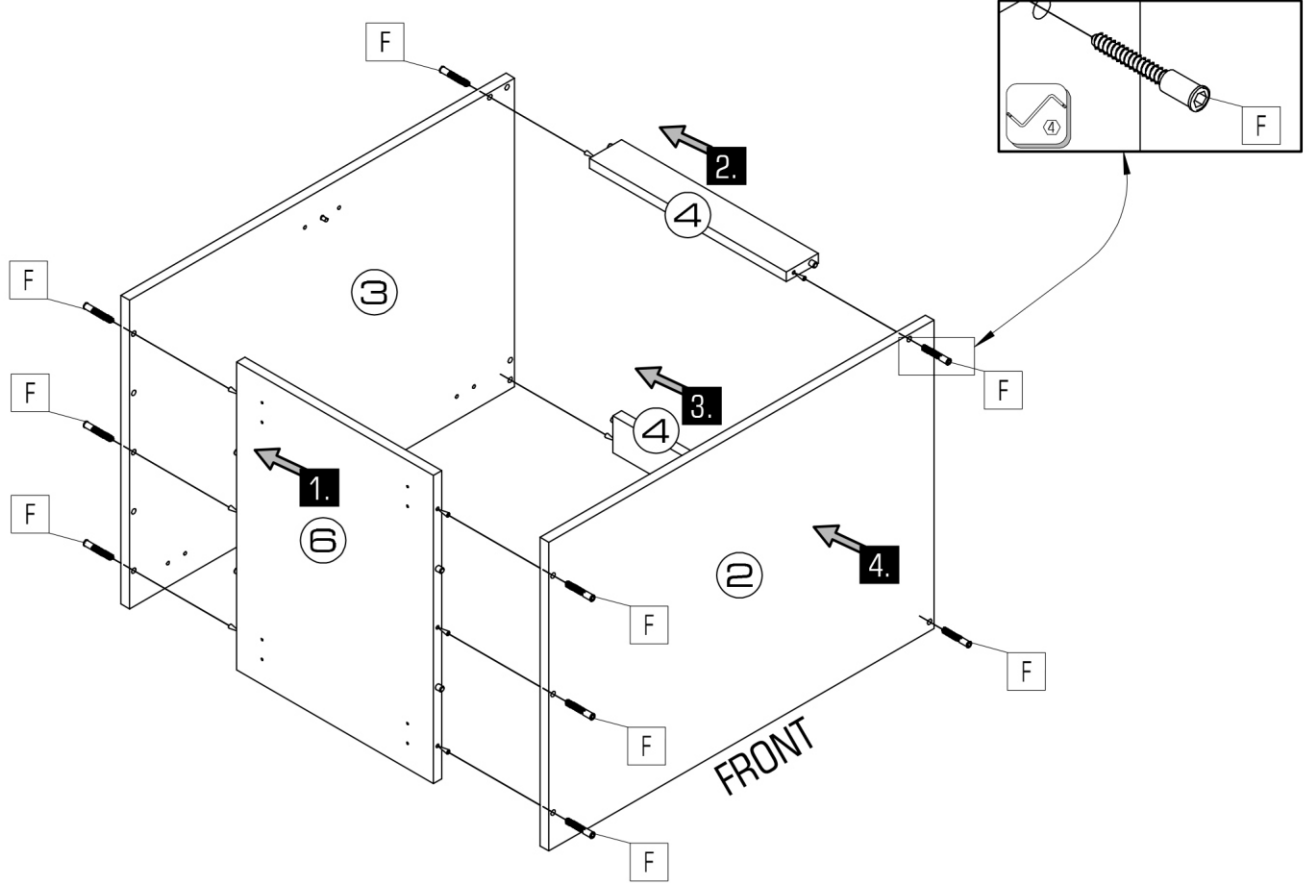
	35003.01 A 10x	21102.00 B 25x Ø1.6x20	22232.00 C 16x Ø4.0x16	22243.00 D 12x Ø3.5x15	22244.01 E 8x Ø3.5x16	22300.00 F 10x Ø7x50	22800.01 G 1x 4	27000.00 H 8x Ø8x30
	35101.01 J 4x	36002.07 K 2x	36002.07 L 2x	50552.00 M 4x	60035.00 N 2x	60025.05 P 4x v=100	32020.00 Q 1x	

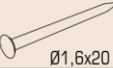





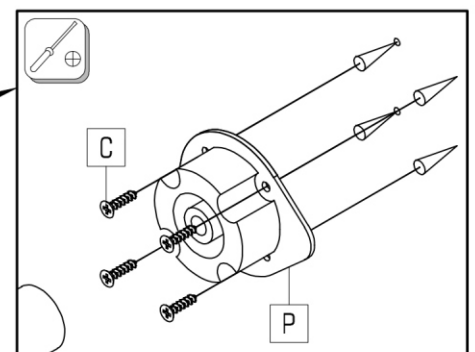
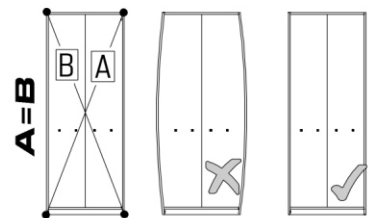
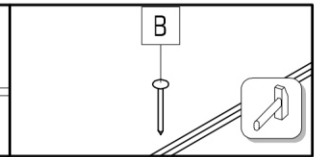
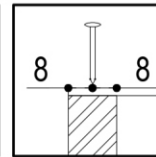
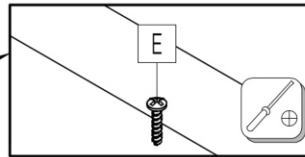
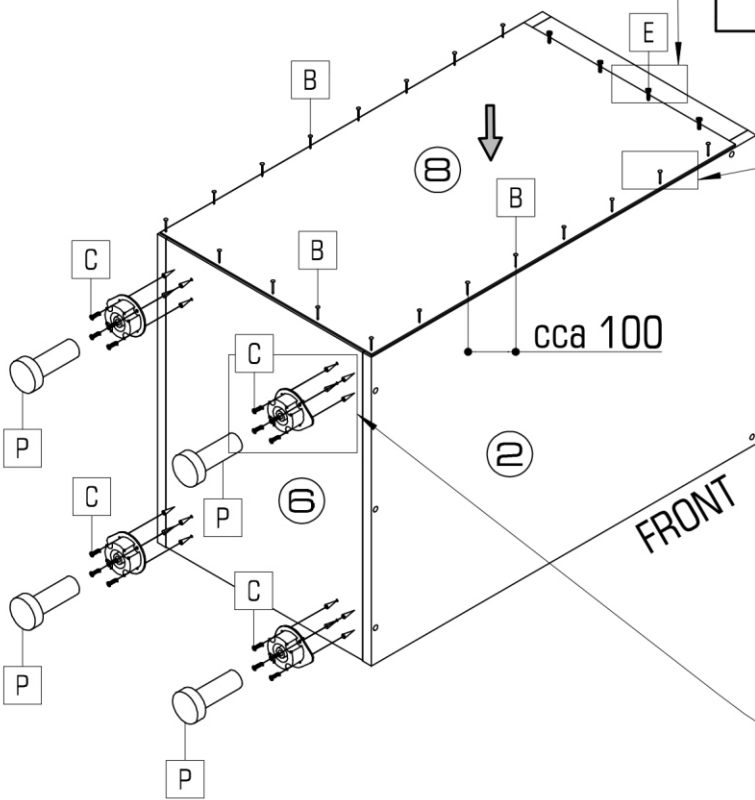
2/6 JULIA TYP 52



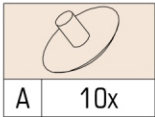
	Ø7x50
F	10x



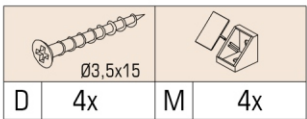
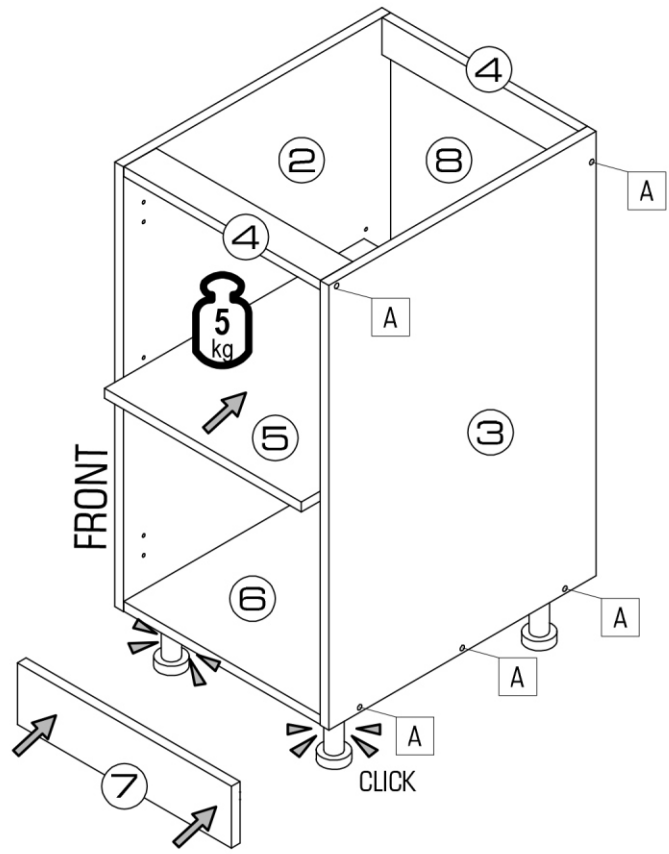
	Ø1,6x20		Ø4,0x16		Ø3,5x16		v=100
B	25x	C	16x	E	4x	P	4x



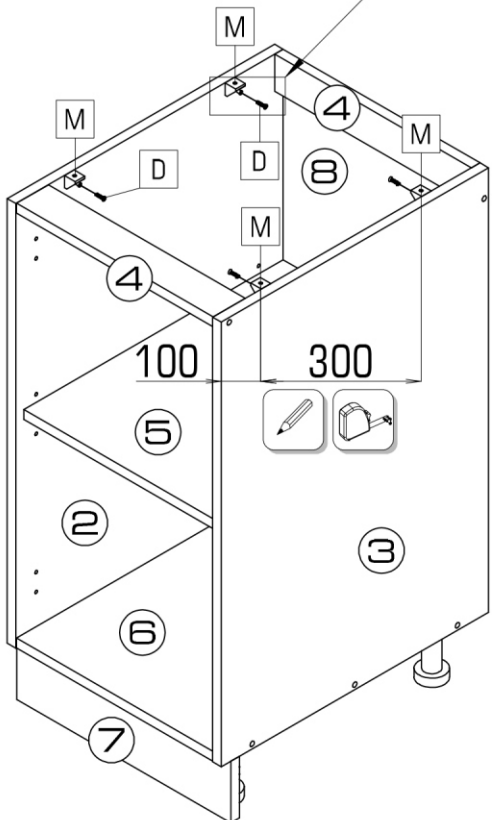
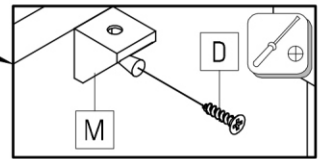
4/6 JULIA TYP 52

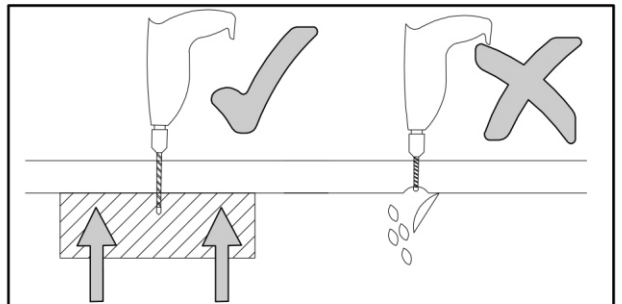
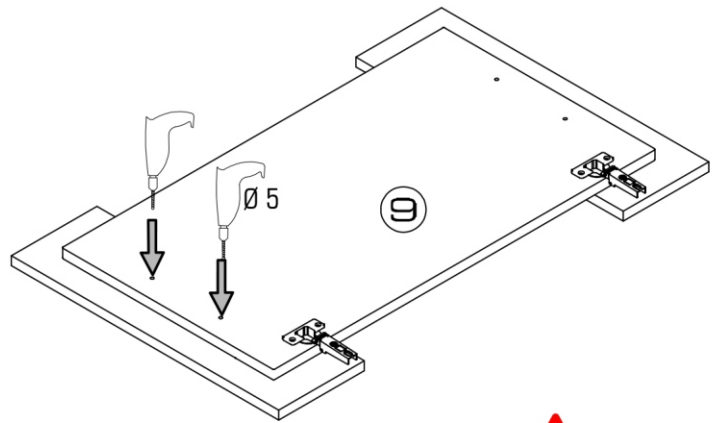
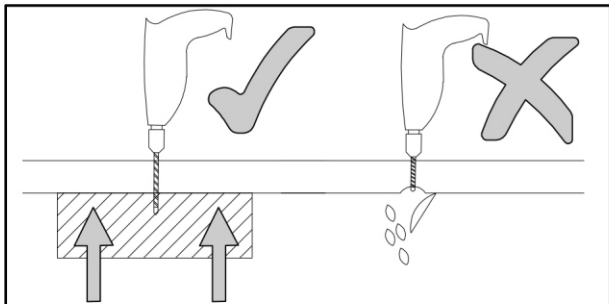
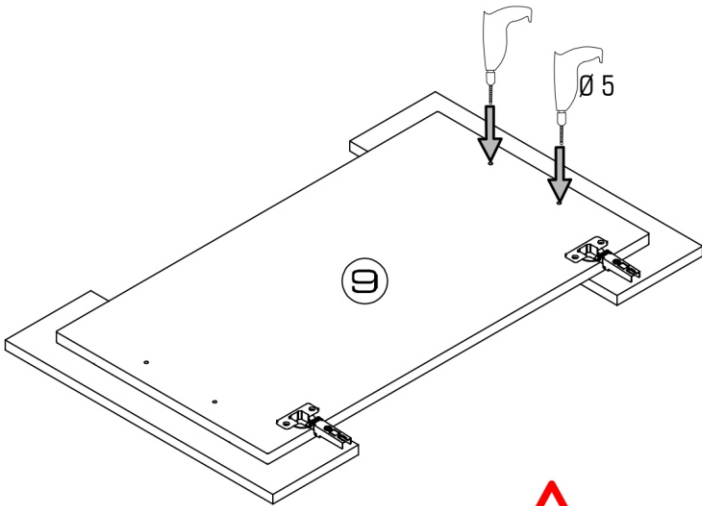
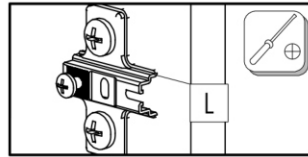
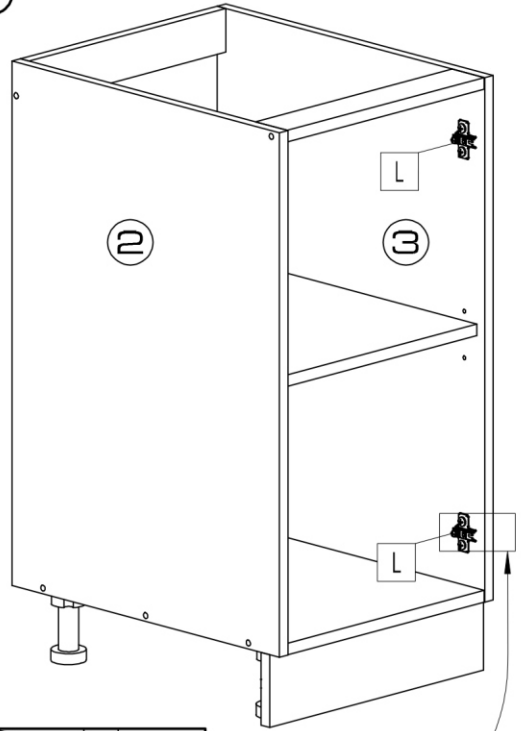
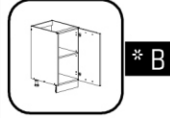
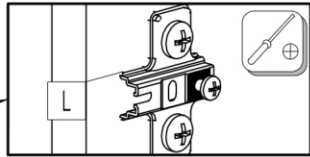
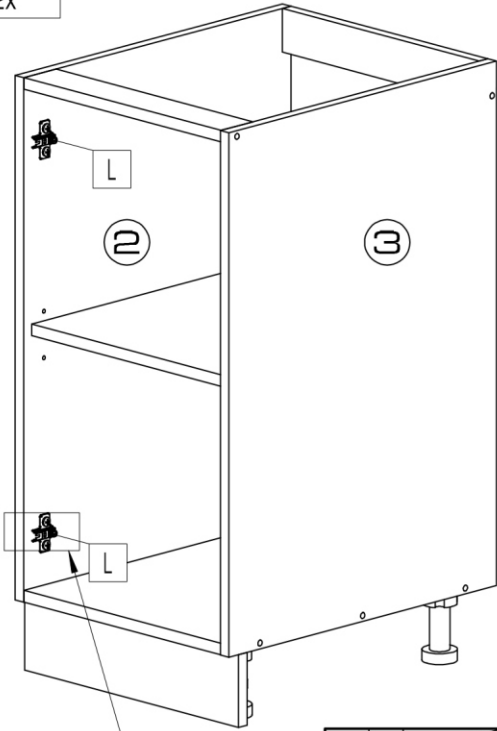
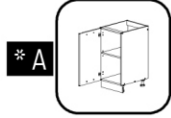
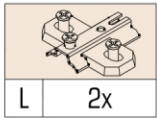


A 10x



D 4x M 4x
 Ø3,5x15





6/6 JULIA TYP 52

